

Interactive Lobby Table

Sizes ranging from 32 to 55 inch

Ideal for coffee corner, lobby,
waiting room or showrooms

Sturdy but sleek design



prestop
get touched



Grab a coffee and start interacting

The Prestop Interactive Lobby Table is designed for your lobby, waiting room, showroom or coffee corner. The table is ideally suited to involve the customer in your company, institution or products. On the multi-touch screen, your visitor can interact while waiting. Or use the touch table together with your visitor as a presentation medium.

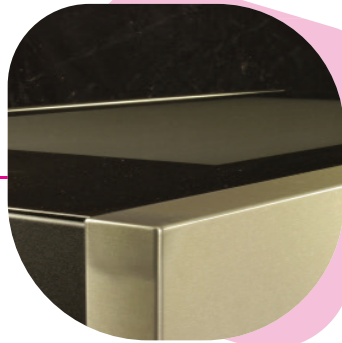
The table is equipped with hardened glass and PCAP touch technology. 40 and 55 inch models are available in high and low version. Optionally, we can integrate power and USB charging ports. Your company logo can be printed under the glass to integrate the interactive table in your corporate identity.

When choosing Omnitapps Lobby software a guestbook, mediaswipe and mediaplayer is available. You can even customize Omnitapps with your own corporate content.

Unique Selling Points



Signage



Strong metal housing



PCAP touch technology

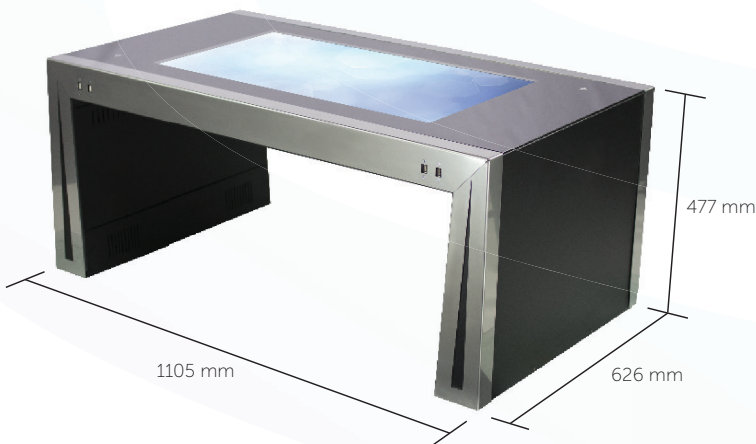


8x powered USB ports for charging devices like phones and tablets (optional)



2x Wireless chargers for charging compatible mobile phones (optional)

Lobby Table 32 inch

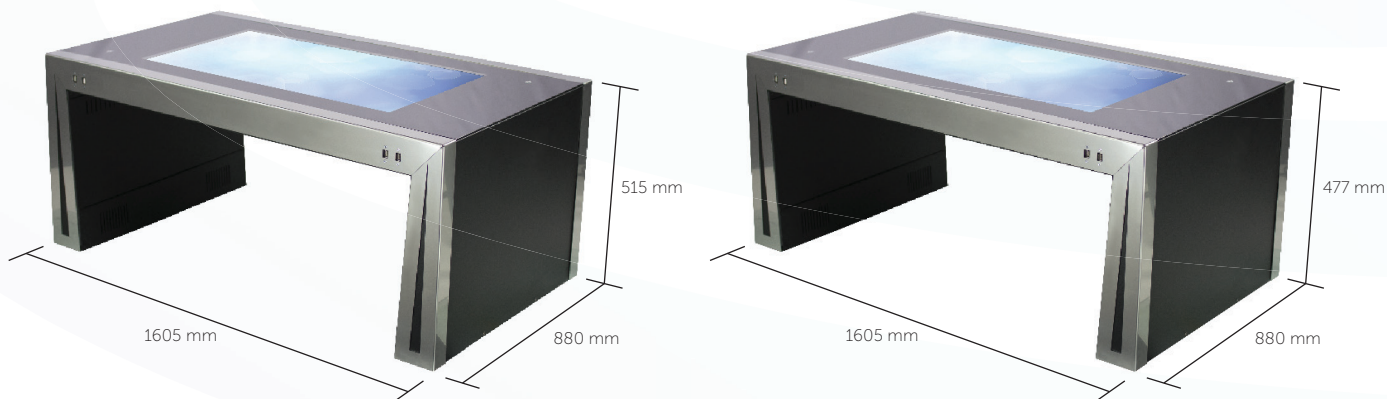


Features

- Sturdy but sleek design
- User-friendly
- PCAP touch technology with 10 touch points
- Robust steel housing
- Custom signage can be applied

Display	32" Full HD (1920x1080)
Brightness	400 nit
Touch screen	PCAP, 10 touch points
Glass	4 mm, anti-glare
Housing	Metal
Color	Black, white, optional RAL
Connections	DisplayPort, HDMI, DVI
Operating hours	24/7
Partnumber	PT-TABLE-LOBBY-EM32
Maximum PC size (WxHxD - mm)	593 x 280 x 57 mm
Maximum PC size (WxHxD - inches)	23.3 x 11 x 2.2 in
Dimensions (WxHxD - mm)	1105 x 477 x 626 mm
Dimensions (WxHxD - inches)	43.50 x 17.78 x 22.65 in
Weight	51 kg / 112.4 lbs

Lobby Table 40 inch

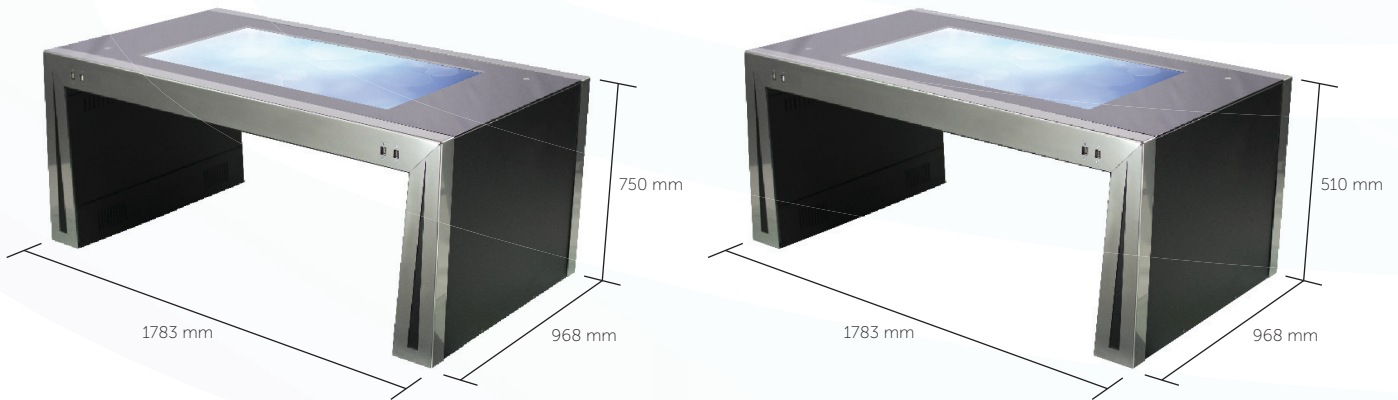


Features

- Sturdy but sleek design
- User-friendly
- PCAP touch technology with 10 touch points
- Robust steel housing
- Custom signage can be applied

Display	40" Full HD (1920x1080)
Brightness	500 nit
Touch screen	PCAP, 10 touch points
Glass	4 mm, anti-glare
Housing	Metal, powder coated
Color	Black, white, optional RAL
Connections	DisplayPort, HDMI, DVI
Operating hours	24/7
Partnumber	PT-TABLE-LOBBY-EM40
Maximum PC size (WxHxD - mm)	810 x 477 x 70 mm
Maximum PC size (WxHxD - inches)	31.9 x 18.8 x 2.75 in
Dimensions (WxHxD - mm)	1605 x 510 x 880 mm
Dimensions (WxHxD - inches)	63.2 x 20 x 34.6 in
Weight	70.5 kg / 155.4 lbs
Partnumber	PT-TABLE-LOBBY-EM40-XL
Maximum PC size (WxHxD - mm)	810 x 280 x 70 mm
Maximum PC size (WxHxD - inches)	31.9 x 11 x 2.75 in
Dimensions (WxHxD - mm)	1605 x 515 x 880 mm
Dimensions (WxHxD - inches)	63.2 x 20.27 x 34.6 in
Weight	72.5 kg / 159.8 lbs

Lobby Table 55 inch



Features

- Sturdy but sleek design
- User-friendly
- PCAP touch technology with 10 touch points
- Robust steel housing
- Custom signage can be applied

Display	55" Full HD (1920x1080)
Brightness	350 nit
Touch screen	PCAP, 10 touch points
Glass	6 mm, anti-glare
Housing	Metal
Color	Black, white, optional RAL
Connections	DisplayPort, HDMI, DVI
Operating hours	24/7
Partnumber	PT-TABLE-LOBBY-EM55
Maximum PC size (WxHxD - mm)	810 x 280 x 70 mm
Maximum PC size (WxHxD - inches)	31.9 x 11 x 2.75 in
Dimensions (WxHxD - mm)	1783 x 510 x 968 mm
Dimensions (WxHxD - inches)	70.2 x 20 x 38.1 in
Weight	78 kg / 171.9 lbs
Partnumber	PT-TABLE-LOBBY-EM55-XL
Maximum PC size (WxHxD - mm)	810 x 510 x 70 mm
Maximum PC size (WxHxD - inches)	31.9 x 20 x 2.75 in
Dimensions (WxHxD - mm)	1783 x 750 x 968 mm
Dimensions (WxHxD - inches)	70.2 x 29.5 x 38.1 in
Weight	99.8 kg / 220 lbs

Upgrade the Lobby Table

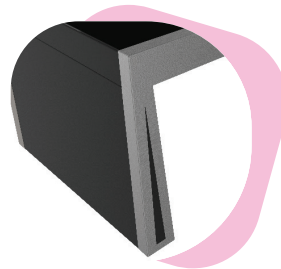
Optional Accessories

- Signage
- 4G / WiFi
- Flightcase
- Stainless steel edges
- Intel NUC mini PC
- Omnitapps
- SiteKiosk
- Professional installation



Signage

Customize the coffee table according to your corporate identity.



Stainless steel edges

Tough looks and added strength: with the Stainless steel edge on the Information Kiosk it really stands out with a premium look!



4G / WiFi

Use the table at remote locations without an internet connection: use 4G or WiFi as an alternative way to connect to the internet.



Flightcase

Make transport easier with a prestop Flightcase. It offers roll on / roll off functionality for quick loading and unloading.



prestop

Prestop integrates PCAP touch foil from 10" to 85" on glass in every size and shape. With our own cleanroom and our experience, we supply to many screen manufacturers, architects, interior builders, AV companies and end users who are interested in customized interactive displays. We can laminate PCAP technology on glass up to 12 mm thickness.

- Certified cleanroom (ISO 14644)
- Dutch design
- Assembled in The Netherlands
- Transport and installation worldwide

Prestop is your specialist for interactive experiences since 1993!

We develop and produce touch tables, information kiosks, touch screens, outdoor kiosks, industrial solutions and video walls. Prestop is also specialized in custom projects.



prestop

get touched